

NEW!



Front-Breathing Undercounters

SHALLOW DEPTH & STANDARD DEPTH REFRIGERATORS & FREEZERS



Continental[®]
Refrigerator

INNOVATIVE DESIGNS FOR YOUR FOODSERVICE NEEDS

Standard Features & Specifications

Specifications

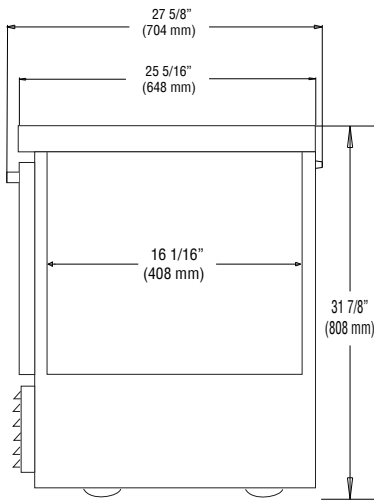
Front Breathing Undercounter Shallow Depth Refrigerator & Freezer Models

SIZE	MODEL	EXTERIOR DIMENSIONS INCHES W x D x H	CAPACITY BTU/HR*	H.P.	SHIP WEIGHT (LBS)
24"	UC24SN	24 x 27 5/8 x 31 7/8	1800	1/5	165
	UCF24SN	24 x 27 5/8 x 31 7/8	800	1/5	165
48"	UC48SN	48 x 27 5/8 x 31 7/8	1800	1/5	248
	UCF48SN	48 x 27 5/8 x 31 7/8	1050	1/4	248

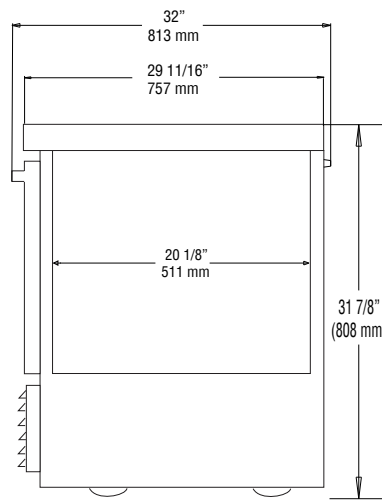
Front Breathing Undercounter Standard Depth Refrigerator & Freezer Models

SIZE	MODEL	EXTERIOR DIMENSIONS INCHES W x D x H	CAPACITY BTU/HR*	H.P.	SHIP WEIGHT (LBS)
24"	UC24N	24 x 32 x 31 7/8	1800	1/5	165
	UCF24N	24 x 32 x 31 7/8	800	1/5	165
48"	UC48N	48 x 32 x 31 7/8	1800	1/5	248
	UCF48N	48 x 32 x 31 7/8	1050	1/4	248

Refrigerators: BTU/HR Rating @ +25°F, 90°F ambient
 Freezers: BTU/HR Rating @ -15°F, 90°F ambient
 10 ft. cord and plug attached (115-60-1 volts)



Shallow Depth Side View



Standard Depth Side View

Standard Features

Performance-rated refrigeration system

Environmentally-safe R-290 refrigerant

Automatic hot gas condensate evaporator

Non-corrosive, plasticized fin evaporator coil

Easily serviceable, slide out compressor

Electronic control, off-cycle defrost (refrigerators) automatic electric defrost (freezers)

Spring-loaded, self-closing door

Magnetic, snap-in Santoprene door gaskets

Smooth, polished chrome door/drawer handles

2" non-CFC polyurethane foam insulation

Heavy duty, epoxy-coated steel shelf

Completely enclosed, vented and removable case back

5" casters (48" models only)

1 3/8" diameter plate casters (factory installed) (24" models only)

Field-rehingable door

Stainless steel back

Product design and specifications are subject to change without prior notice.

FLEXIBLE Options

Stainless steel interior
 Additional epoxy-coated steel shelves
 Hinged glass doors
 Black enamel finish



Epoxy-coated steel shelves

How to Buy

LOCAL SALES REPRESENTATIVES

STATES COVERED

Wyllie Marketing	Weymouth, MA	(781) 340-6157	ME, RI, NH, MA, VT, CT
Link 2 Hospitality Solutions	Rochester, NY	(585) 254-1780	Upstate NY
C.R. Peterson Associates	Avon, MA	(800) 257-4040	N. NJ, New York City
Schmid Dewland & Associates	Marlton, NJ	(856) 783-3400	E. PA, DE, S. & Central NJ
Link 2 Hospitality Solutions	Bridgeville, PA	(412) 341-2020	W. PA, W. VA (except Panhandle)
High Sabatino Associates, Inc.	Jessup, MD	(301) 470-7051	DC, MD, VA, W. VA (Panhandle)
Stiefel Associates, Inc.	Lansing, MI	(517) 393-3019	MI (except Upper Peninsula)
Alliance Foodservice Equipment	Pickerington, OH	(800) 833-0797	OH, KY
Stiefel Associates, Inc.	Edinburgh, IN	(317) 408-6045	IN
Jay Mark Group, LTD	Elk Grove Village, IL	(847) 545-1918	N. IL
North Star Agency	Minneapolis, MN	(763) 545-1400	MN, ND, SD
Mirkovich & Associates	Waukesha, WI	(630) 792-0080	WI, MI (Upper Peninsula)
Select Marketing	St. Louis, MO	(314) 961-3332	MO, KS, IA, NE, S. IL
Premier Foodservice Group	Norcross, GA	(877) 667-2192	NC, SC
Pro-Quip Foodservice	Little Rock, AR	(501) 221-7120	AR, LA, MS, W. TN (W. of Tenn. River)
The Veitch Group	Ft. Lauderdale, FL	(954) 316-6162	FL (except Panhandle)
Merkolat	Pembroke Pines, FL	(561) 594-7153	Latin America, Caribbean
Premier Foodservice Group	Norcross, GA	(877) 667-2192	AL, FL (Panhandle), GA, E. TN (E. of Tenn River)
Desert Peak Marketing	Denver, CO	(303) 790-2424	CO, S. ID, MT, UT WY
Roller & Associates	Seattle, WA	(206) 547-3555	WA, OR, AK, N. ID
Foodservice Equipment Agents	Placentia CA	(714) 693-3329	AZ (Bull Head City), S. CA, S. NV
Inform Marketing Group	Walnut Creek, CA	(510) 337-0420	N. CA, N. NV
EMC Hospitality	Kealahou, HI	(808) 375-3820	HI
Desert Peak Marketing	Phoenix, AZ	(602) 255-0976	AZ (except Bull Head City), NM, TX (El Paso)
Forbes Hever & Wallace, Inc.	Coppell, TX	(972) 219-8898	OK, TX (except El Paso)

Call us toll free at (800) 523-7138



A Division of National Refrigeration & Air Conditioning Products

Continental Refrigerator | Local: (215) 244-1400
 539 Dunksferry Road | Toll Free: (800) 523-7138
 Bensalem, PA 19020 | Fax: (215) 244-9579

www.continentalrefrigerator.com

Continental®

Refrigerator

INNOVATIVE DESIGNS FOR YOUR FOODSERVICE NEEDS



PROUDLY
 DESIGNED & ASSEMBLED
 IN THE U.S.A.